



ECONOMICAL BOLT SEAL WITH INTEGRATED ANTI-SPIN FEATURE

Low cost indicative Bolt Seal with narrow shaft designed to fit small latches. Plastic moulded Anti-Spin feature prevents tampering.

Features:

- Narrow 7.6mm shaft designed to fit smaller latches
- Spring Wire locking mechanism
- Self-locking mechanism ensures secure locking without need for tools
- Plastic Moulded Anti-Spin feature on Shaft and Bolt
- Dual numbering on shaft and bolt for added security
- Removal only with bolt cutter
- Laser etched markings with unique Serial Number and Barcode

TECHNICAL SPECS

Tensile Strength	240.0 kgs
Body	Hi Impact ABS
Shaft and Bolt	Carbon Steel
Locking	Spring Wire
Total Length / Locking Length	79mm / 45mm
Customisation Options	<ul style="list-style-type: none"> • Customer name and corporate logo • Customised text and artwork • Up to 6 digits sequential numbering

ADDITIONAL FEATURES



Moulded Anti-Spin



Dual Numbering



Joined Shaft and Pin



Single-Handed Locking

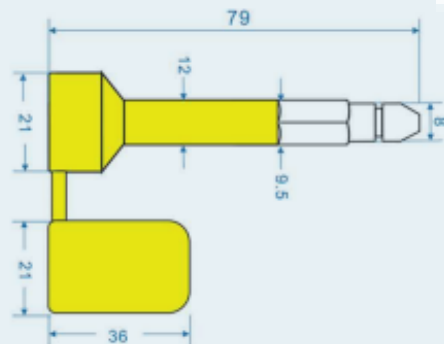
INDUSTRIES

- Transportation • Government • Retail
 • Pharmaceutical & Healthcare • Food Services • Manufacturing & Packaging
 • Mining • Sea Freight Logistics • Air Freight Logistics

APPLICATIONS

- Shipping Containers • Air Freight Containers • Bulk Tankers and Trailers • Rail Freight Containers

PRODUCT DRAWING



Packaging Information

500 pieces per Inner Carton
 420.0mm x 320.0mm x 210.0mm, 11.5kgs

Available Colours

